

**NOTES**

**EROSION CONTROL:** For grassed bioretention, include temporary erosion control mat Type A, B, C, or E per CMS 671 over the surface of all bioretention planting soil.

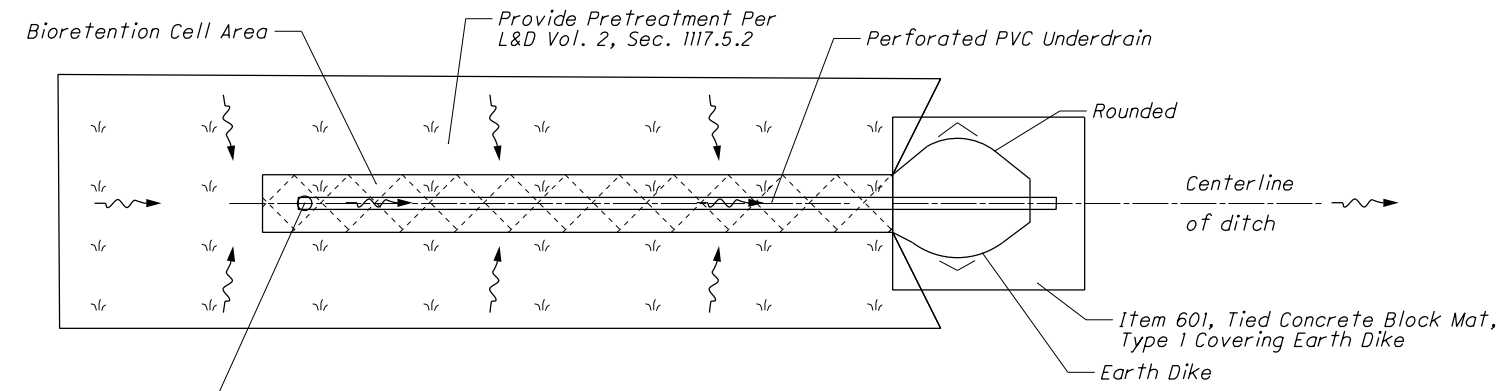
**BIORETENTION PLANTING SOIL:** See Plan Note W101 (Bioretention Cells) for approved bioretention planting soil characteristics.

**PLANTINGS:** If not specified on the plans, seed the bioretention cell area per CMS 659. Do not apply fertilizer or lime to the bioretention cell area.

**SUBSOIL:** Scarify the subsoil 3" minimum before installation of aggregate into bioretention cell.

**BIORETENTION SIDES:** Construct bioretention cells with vertical sides unless otherwise specified.

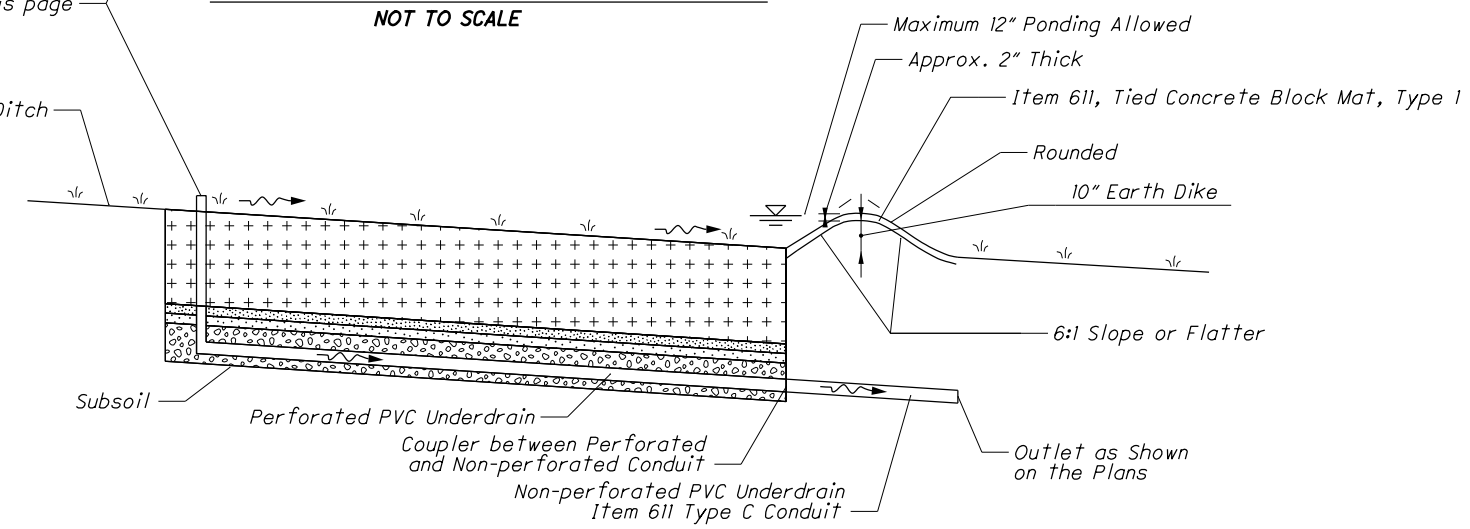
**PAYMENT:** Bioretention cell will be paid for as Item 601, Bioretention Cell cu yd and Item 601 Tied Concrete Mat sq yd. Excavation will be paid for as Item 203, Excavation cu yd. Perforated underdrains, observation wells, and associated fittings and couplers will be paid for as Item 605, Underdrain APP. Non perforated underdrains will be paid for as Item 611, Outlet Pipe. Seeding and mulching for the bioretention cell will be paid for as Item 659, Seeding and Mulching sq yd. Erosion control mats will be paid for as item 617, Erosion Control Mats sq yd.



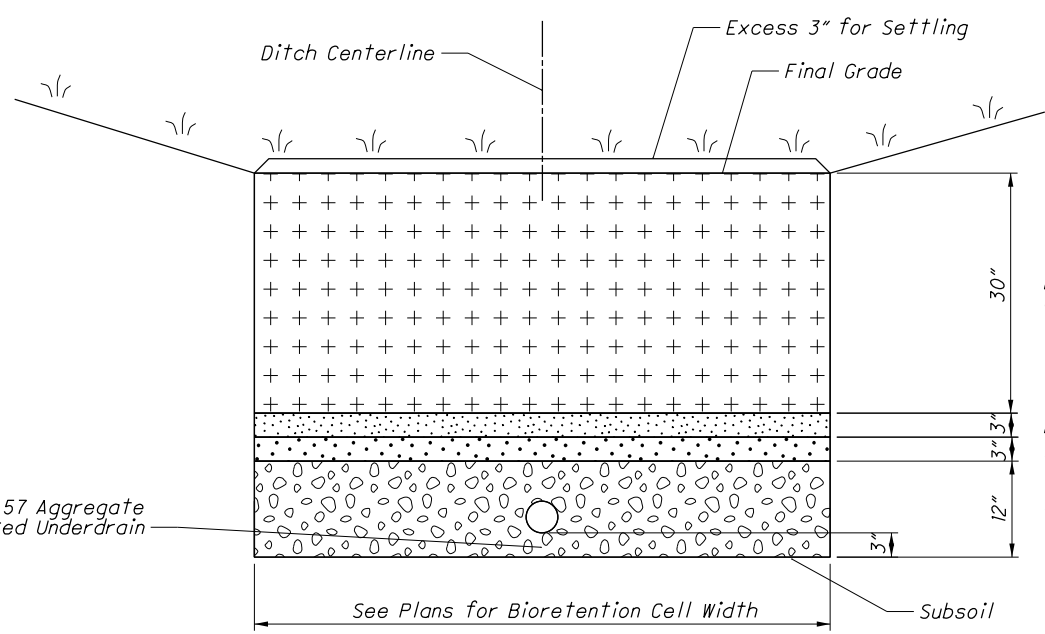
**PLAN VIEW LINEAR BIORETENTION CELL IN GRASS DITCH**  
NOT TO SCALE

Observation Well / Cleanout  
See Detail this page

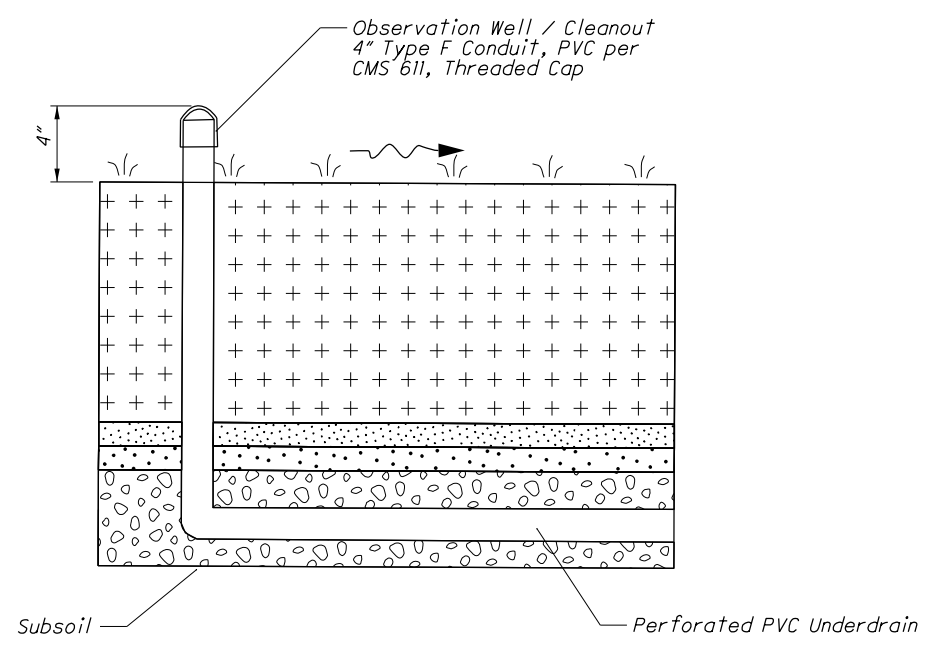
Flowline of Ditch



**PROFILE OF BIORETENTION CELL IN GRASS DITCH**  
NOT TO SCALE



**SECTION OF BIORETENTION CELL IN GRASS DITCH**  
NOT TO SCALE



**OBSERVATION WELL / CLEANOUT**  
NOT TO SCALE